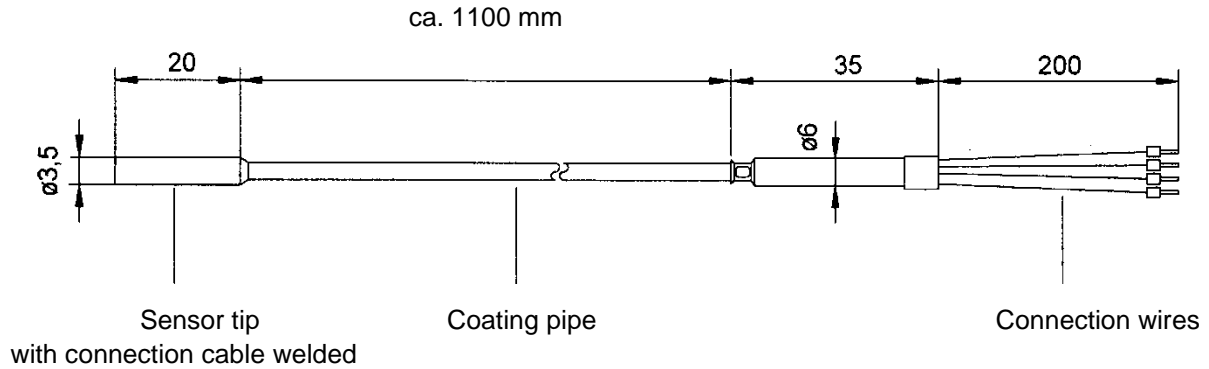


Structure



Type designation

Enclosed temperature sensor (surface sensor) with solid-line in 3-wire circuit.

Technical Data

Temperature range	: -50 ... +600 °C
Connection cable	: PTFE-insulated single-wires 200mm long Transition sleeve encapsulated with epoxy resin. Protective conductor connected to the transition sleeve.
Length	: appr. 1100mm, special-lengths on request
Coating pipe diameter	: 3mm
Sensor tip	: 3,5x20mm welded with coating-pipe
Material	: 1.4541

Certificates

Exactness-class	: DIN EN 60751, Kl. B
-----------------	-----------------------